



Y3000-9 Radome enclosed directional point-to-point Yagi UHF 3.4-3.6 GHz



The Y3000-9 mast mount Yagi's are specifically designed for directional point-to-point 3.4-3.6 GHz wireless data transmit and receive applications. The enclosed design ensures protection from damage or water ingress, increasing the service life.

Coaxial feeder cable, water-proofing, bird proofing, adaptors and other installation accessories are all available separately.

Construction	Black fibreglass radome, aluminium plate, galvanised steel mounting hardware, external coaxial cable and termination - White radome available on request
Frequency range	3.4-3.6 GHz - UHF and 5G frequency compatible
VSWR	<1.8:1 VSWR
Tuning	Factory
Number of elements	9
Gain - nominal	11.3 dBi
Maximum power	25 Watts
Impedance	50 Ohms
Polarisation	Mount horizontal or vertical as required
H Plane	35°
E Plane	35°
Front-to-back ratio	-20 dB
DC grounding	Yes
Cable	200mm RG142B/U, rear exit from plate
Connector	N-type female fitted to cable - as standard
Dimensions	300mm x 80mm
Weight	1.5kg
Projected area	0.015m ²
Wind load at 160kph	1.82kg
Mounting hardware supplied	Aluminium mount plate, 2 x galvanised steel V-blocks and 2 x 50mm diameter galvanised steel U-bolts
Installation tools required	13mm spanner for U-bolts securing

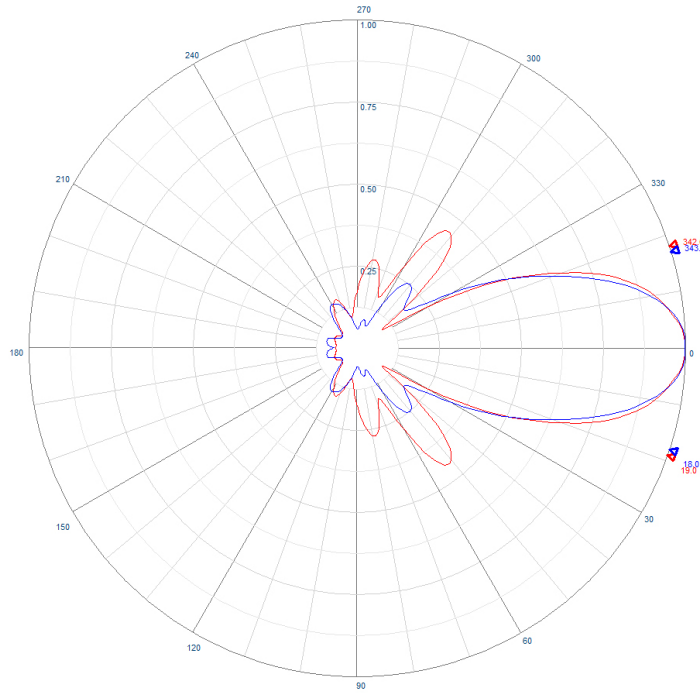




Y3000-9

Radome enclosed directional point-to-point Yagi





UHF 3.4-3.6 GHz



Example radiation pattern - Y3000-9

Y3000-9 Radome enclosed directional point-to-point Yagi UHF 3.4-3.6 GHz

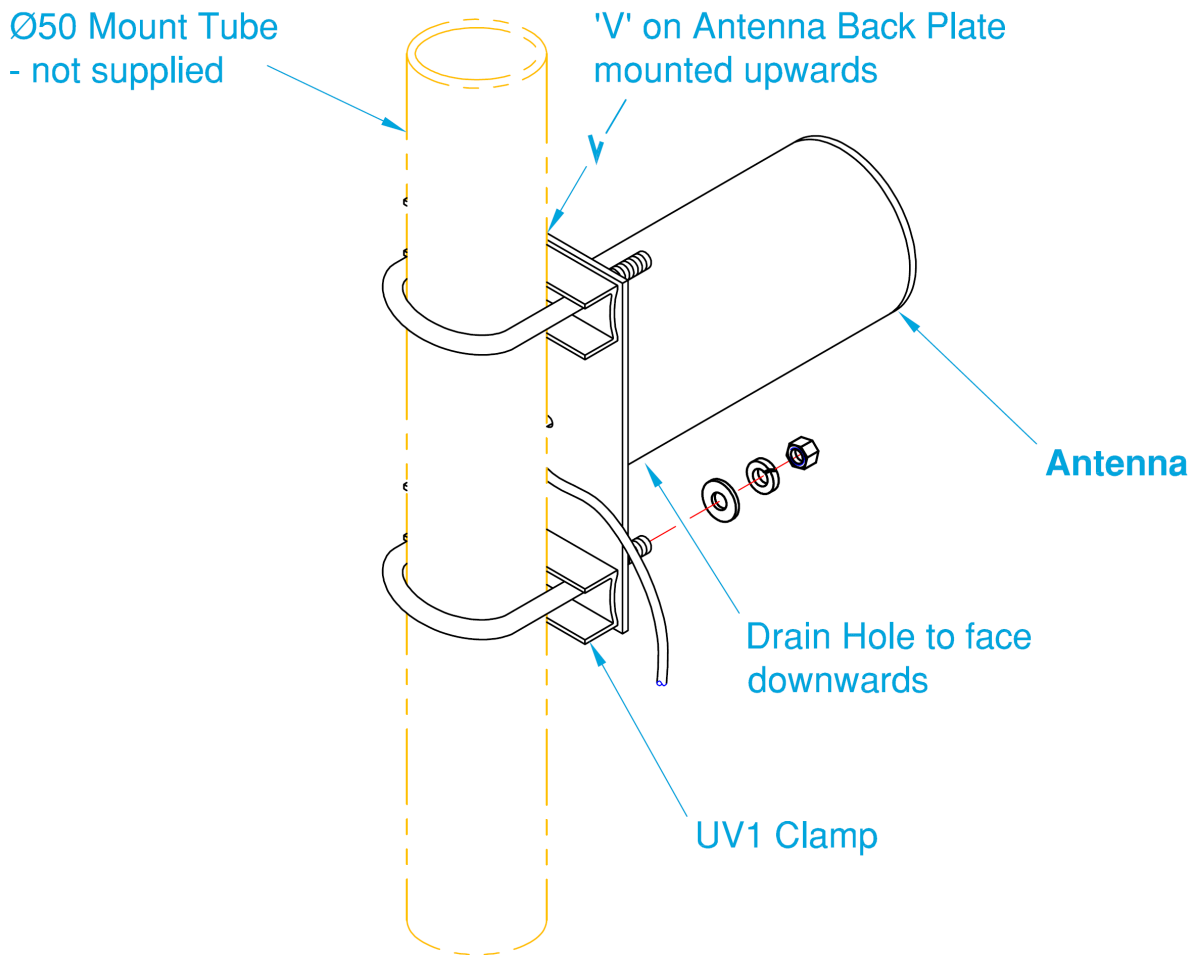
Suitable mounting hardware

 <p>CFB series - Galvanised steel 'J' hockey stick brackets, 1.1 - 2.1 metres.</p> <p>Requires A-4266 series + 2 x EB1-SS or 1 x UB2-SS</p>	 <p>A-2654-2 - Aluminium pole extension 1.1 metres includes pole mounting brackets.</p> <p>Requires A-4266 + 2 x EB1-SS or 1 x UB2-SS</p>
 <p>SFB Series - galvanised steel pole extension 0.9-2.0 metres Roof or overhang mounting</p> <p>Requires A-4266 + 2 x EB1-SS or 1 x UB2-SS</p>	 <p>A-2307 - 6-piece aluminium & fibreglass mast - 6.68m</p> <p>Includes: insulated top, guy wires, spigots and base bracket.</p>

Suitable feeder coaxial cable and connectors

 <p>RU400 Solid copper conductor, low loss coaxial cable CNT-400 / LMR-400™ equivalent (* times microwave) P/N 7890</p> <p>Available in 100m, 300m, 500m roll or alternatively request a custom cable assembly</p>	 <p>N-type male crimp connector for RU400 low loss, solid conductor</p> <p>P/N 8226</p> <p>Tri-metal plated</p>
 <p>RU600 Solid copper conductor, low loss coaxial cable LMR-600™ equivalent (* times microwave) P/N 7890-3</p> <p>Available in 500m roll or alternatively request a custom cable assembly</p>	 <p>N-type male crimp connector for RU600 low loss, solid conductor</p> <p>P/N 8226-2</p> <p>Tri-metal plated</p>
 <p>1/2" super flexible helical shielded, foam dielectric coaxial cable P/N ZCG1250SF</p> <p>Available in per metre, 500m roll or alternatively request a custom cable assembly</p>	 <p>N-type male clamp connector for 1/2" super flexible, helical shielded coaxial cable</p> <p>P/N NM1250SF</p> <p>Tri-metal plated</p>
 <p>1/2" corrugated shielding, foam dielectric coaxial cable P/N ZCG1250</p> <p>Available in per metre, 500m roll or alternatively request a custom cable assembly</p>	 <p>N-type male clamp connector for 1/2" flexible, corrugated shielded, coaxial cable</p> <p>P/N NM1250</p> <p>Tri-metal plated</p>

Y3000-9
Radome enclosed directional point-to-point Yagi
UHF 3.4-3.6 GHz



Vertical Polarisation: